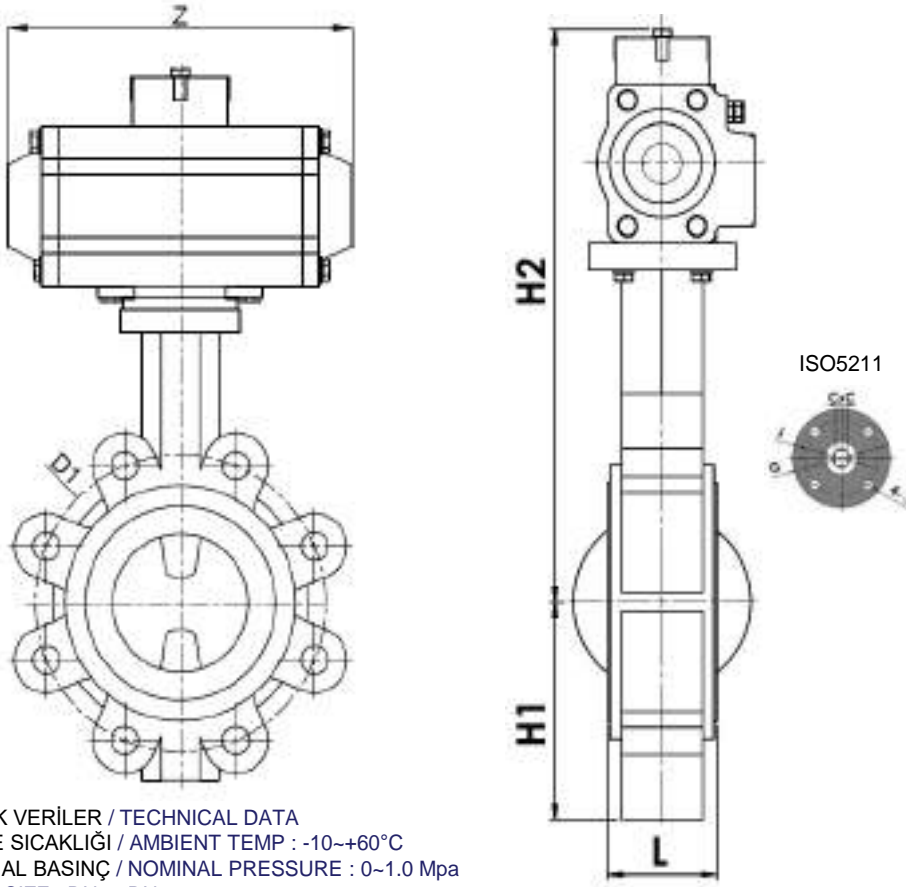


LUG TİPİ PNÖMATİK AKTÜATÖRLÜ KELEBEK VANALAR LUG TYPE BUTTERFLY VALVES WITH PNEUMATIC ACTUATOR

MODEL NST-AKL2



TEKNİK VERİLER / TECHNICAL DATA
 ÇEVRE SICAKLIĞI / AMBIENT TEMP : -10~+60°C
 NOMİNAL BASINÇ / NOMINAL PRESSURE : 0~1.0 Mpa
 EBAT / SIZE : DN50-DN300
 KONTROL TARZI : ON-OFF, AYARLANABİLİR / CONTROL WAY : ON-OFF TYPE, ADJUSTABLE TYPE
SİPARİŞ ESNASINDA BELİRTİLMESİ DURUMUNDA ORANSAL AYARLANABİLİR
 IT CAN BE SET AS PROPORTIONAL IF REQUESTED DURING ORDER



ÇİFT ETKİLİ AKTÜATÖRLÜ KELEBEK VANA / BUTTERFLY VALVE WITH DOUBLE ACTING ACTUATOR

ÖLÇÜ / SIZE	L	H1	H2	Z	D1	N-Ø	CXC	G	J	4-Ø	AKTÜATÖR ACTUATOR
DN50	43	88	228,5	144	125	4-M16	9*9	65	50	4-Ø7	NST-DA50
DN65	46	89	249,5	163	145	4-M16	9*9	65	50	4-Ø7	NST-DA63
DN80	46	95	265,5	163	160	8-M16	9*9	65	50	4-Ø7	NST-DA63
DN100	52	114	302,5	214	180	8-M16	11*11	65	50	4-Ø7	NST-DA75
DN125	56	127	314,5	252	210	8-M16	14*14	90	70	4-Ø9	NST-DA88
DN150	56	139	370,5	270	240	8-M20	14*14	90	70	4-Ø9	NST-DA100
DN200	60	175	398	316	295	12-M20	17*17	125	70	4-Ø12	NST-DA115
DN250	68	205	455	354	355	12-M22	22*22	125	70	4-Ø12	NST-DA125
DN300	78	235	592	418	410	12-M22	22*22	150	102	4-Ø14	NST-DA145