

## METERING PUMPS RB SERIES

### FAMILY 08 – GROUP 64

Pumps RB series are fixed displacement metering pumps. They are available in a wide range of types so as to satisfy the different metering requirements. The metering accuracy and the material's quality make our pumps safe and reliable.

RB pumps are made of stainless steel, whereas all parts that are in contact with the fluids are made of AISI 316, FPM, PTFE/Graphite (materials that make the pump suitable for the use with chemically aggressive agents).

As RB pumps operate with plunger, it's advisable to use them for fluids without suspended materials (otherwise a filter must be used), and whenever possible leaks through the stuffing box do not give raise to dangerous situations.

RB pumps are pneumatically operated. The servo control can be single or double-acting.

The delivery is carried out once a cycle.

Our RB metering pumps can be used in all those fields, where a constant and precise metering is required (chemical industry, dyeing industry, and so on).

#### Technical data

**General notice:** Pumps destined to fluids of group 2 (directive 97/23/EC). For use with fluids of group 1 (directive 97/23/EC) contact our technical department

**Models:** RB 25 – RB 30 – RB 43 – RB 50 – RB 62

**Connections:** male threaded GAS (RB 25 ÷ RB 43), female threaded GAS (RB 50 ÷ RB 62)

**Tmax allow.:** 145 °C (when using PVC filter standing valves not exceed 50 °C)

**Tmin allow.:** 0 °C

**Air connection:** 1/8" GAS.

**Supply fluid:** instrument air.

**Supply pipes:** Pipe inner diameter = 4 mm, min. outer diameter = 6 mm, able to bear the Pmax under the environment conditions of the plant where the pump has to be assembled.

**Supply pressure:** 6 bar (S.E. pumps.), 3÷6 bar (D.E. pumps.)

**Versions:** simple effect and double effect, without and with inductive sensors.

**Materiale:** all the components in contact with the fluid are produced in AISI 316, in FPM and in PTFE/GRAPHITE for further details on the parts, pls contact our technical depart.



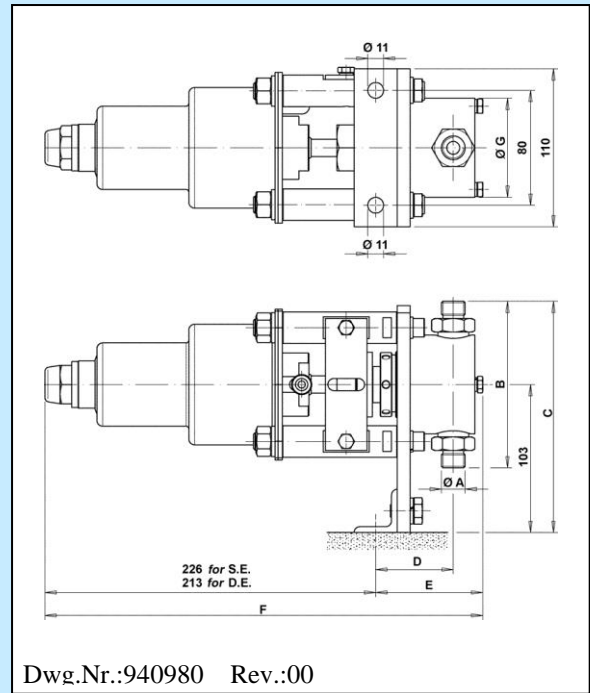
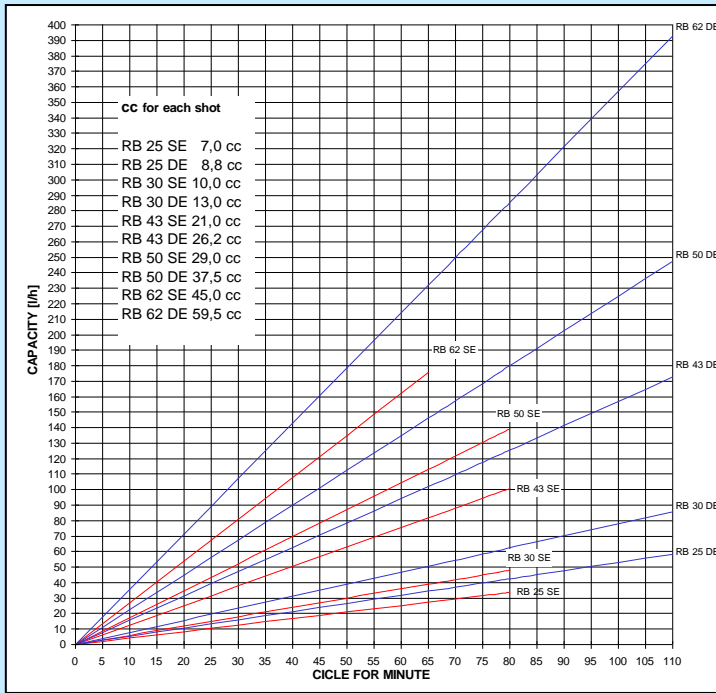
Metering pumps RB S.E. and RB D.E.

#### Table of air consumption in NI for each cycle<sup>(1)</sup> of RB pumps D.E. and S.E.

Pressure (bar)	Suction (NI)	Delivery (NI)	Total (NI)
3 – D.E.	0,392	0,385	0,777
4 – D.E.	0,498	0,492	0,990
5 – D.E.	0,604	0,597	1,201
6 – D.E.	0,709	0,701	1,410
6 – S.E.	0,717		0,717

<sup>(1)</sup> cycle is the execution of a suction and a delivery phase.

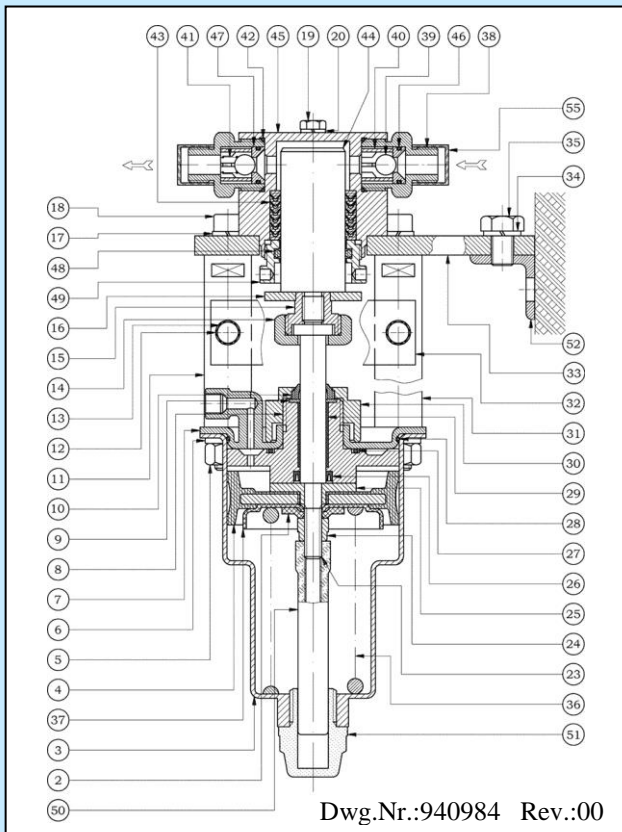
## Graphic of S.E. – D.E. RB capacities.



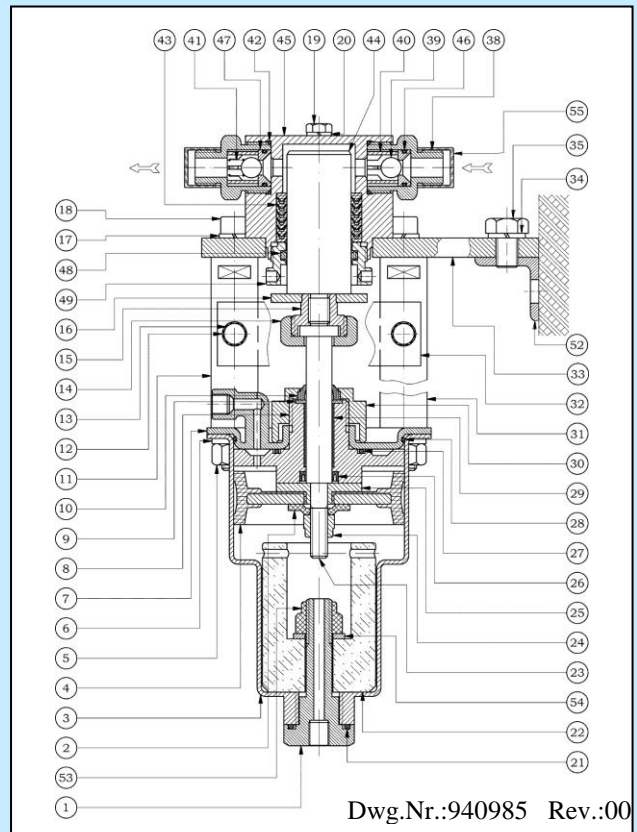
### Dimensions table for RB pumps (Measurements are expressed in mm)

Pump type	Ø A	B	C	D	E	F		G
						S.E.	D.E.	
<b>RB 25</b>	3/8" MALE GAS	115	161	55	76	302	289	69
<b>RB 30</b>	3/8" MALE GAS	115	161	58	80	306	293	69
<b>RB 43</b>	3/8" MALE GAS	130	168	58	80	306	293	84
<b>RB 50</b>	1/2" FEMALE GAS	157	182	62	88	314	301	94
<b>RB 62</b>	3/4" FEMALE GAS	192	199	70	96	322	309	118

### Section plane RB pump S.E.



### Section plane RB pump D.E.



**ACCORDING TO THE LAW IT IS FORBIDDEN TO REPRODUCE OR COMMUNICATE TO THIRD PARTIES THE CONTENTS OF THIS LEAFLET**