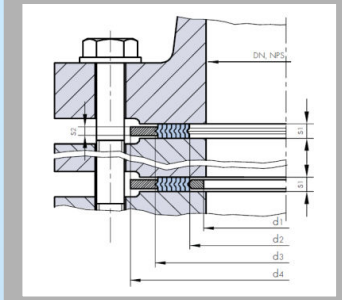
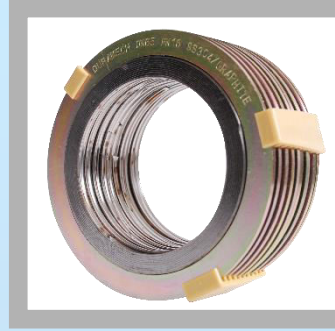


MAX SICAKLIK / MAX. TEMPERATURE : 500°C
MAX BASINÇ / MAX. PRESSURE : 350 bar
VAKUM / VACUUM :- 760 mmHg
PH : 0-14



ÜRÜN AÇIKLAMASI / PRODUCT DESCRIPTION

PN-API/SSC Spiral sarımlı çelik contalar akaryakıt,sıcak gaz,solvent ve akaryakıt türevleri için idealdir.
PN-API/SSC Spiral wound gaskets are ideal for fuel oil,hot gas,solvent and petroleum products.

ASME B 16.20 gaskets for ASME B 16.5 flanges API 601

NPS (in)	d1 (mm)					d2 (mm)					d3 (mm)		d4 (mm)						
	150-300	400-600	900	1500	2500	150-300	400-600	900	1500	2500	150-600	900-2500	150	300	400	600	900	1500	2500
1/2	14.2	14.2	14.2	14.2	14.2	19.1	19.1	19.1	19.1	19.1	31.8	31.8	47.8	54.1	54.1	54.1	63.5	63.5	69.9
3/4	20.6	20.6	20.6	20.6	20.6	25.4	25.4	25.4	25.4	25.4	39.6	39.6	57.2	66.8	66.8	66.8	69.9	69.9	76.2
1	26.9	26.9	26.9	26.9	26.9	31.8	31.8	31.8	31.8	31.8	47.8	47.8	66.8	73.2	73.2	73.2	79.5	79.5	85.9
1 1/4	38.1	38.1	38.1	33.3	33.3	47.8	47.8	39.6	39.6	39.6	60.5	60.5	76.2	82.6	82.6	82.6	88.9	88.9	104.9
1 1/2	44.5	44.5	44.5	41.4	41.4	54.1	54.1	47.8	47.8	47.8	69.9	69.9	85.9	95.3	95.3	95.3	98.6	98.6	117.6
2	55.6	55.6	55.6	52.3	52.3	69.9	69.9	58.7	58.7	58.7	85.9	85.9	104.9	111.3	111.3	111.3	143.0	143.0	146.1
2 1/2	66.5	66.5	66.5	63.5	63.5	82.6	82.6	69.9	69.9	69.9	98.6	98.6	124.0	130.3	130.3	130.3	165.1	165.1	168.4
3	81.0	81.0	81.0	81.0	81.0	101.6	101.6	95.3	92.2	92.2	120.7	120.7	136.7	149.4	149.4	149.4	168.4	174.8	196.9
4	106.4	106.4	106.4	106.4	106.4	127.0	127.0	120.7	117.6	117.6	149.4	149.4	174.8	181.1	177.8	193.8	206.5	209.6	235.0
5	131.8	131.8	131.8	131.8	131.8	155.7	147.6	147.6	143.0	143.0	177.8	177.8	196.9	215.9	212.9	241.3	247.7	254.0	279.4
6	157.2	157.2	157.2	157.2	157.2	182.6	174.8	174.8	171.5	171.5	209.6	209.6	222.3	251.0	247.7	266.7	289.1	282.7	317.5
8	215.9	209.6	196.9	196.9	196.9	233.4	225.6	222.3	215.9	215.9	263.7	257.3	279.4	308.1	304.8	320.8	358.9	352.6	387.4
10	268.2	260.4	246.1	246.1	246.1	287.3	274.6	276.4	266.7	270.0	317.5	311.2	339.9	362.0	358.9	400.1	435.1	435.1	476.3
12	317.5	317.5	292.1	292.1	292.1	339.9	327.2	323.9	323.9	317.5	374.7	368.3	409.7	422.4	419.1	457.2	498.6	520.7	549.4
14	349.3	349.3	320.8	320.8		371.6	362.0	356.6	362.0		406.4	400.1	450.9	485.9	482.6	492.3	520.7	577.9	
16	400.1	400.1	374.7	368.3		422.4	412.8	412.8	406.7		463.6	457.2	514.4	539.8	536.7	565.2	574.8	641.4	
18	449.3	449.3	425.5	425.5		474.7	469.9	463.6	463.6		527.1	520.7	549.4	596.9	593.9	612.9	638.3	704.9	
20	500.1	500.1	482.6	476.3		525.5	520.7	520.7	514.4		577.9	571.5	606.6	654.1	647.7	682.8	698.5	755.7	
24	603.3	603.3	590.6	577.9		628.7	628.7	628.7	616.0		685.8	679.5	717.6	774.7	768.4	790.7	838.2	901.7	

ASME B 16.20 gasket for ASME B 16.47 Series B flanges API 605

NPS (in)	d1 (mm)					d2 (mm)					d3 (mm)					d4 (mm)				
	150	300	400	600	900	150	300	400	600	900	150	300	400	600	900	150	300	400	600	900
26	654.1	654.1	654.1	644.7	666.8	673.1	673.1	666.8	663.7	692.2	698.5	711.2	698.5	714.5	749.3	725.4	771.7	746.3	765.3	838.2
28	704.9	704.9	701.8	692.2	717.6	723.9	723.9	714.5	704.9	743.0	749.3	762.0	749.3	755.7	800.1	776.2	825.5	800.1	819.2	901.7
30	755.7	755.7	752.6	752.6	781.1	774.7	774.7	765.3	778.0	806.5	800.1	812.8	806.5	828.8	857.3	827.0	886.0	857.3	879.6	958.3
32	806.5	806.5	800.1	793.8	838.2	825.5	825.5	812.8	831.9	863.6	850.9	863.6	858.5	882.7	914.4	881.1	939.8	911.4	933.5	1016.0
34	857.3	857.3	850.9	850.9	895.4	876.3	876.3	866.9	889.0	920.8	908.1	914.4	911.4	939.8	971.6	935.0	993.9	962.2	997.0	1073.2
36	908.1	908.1	898.7	901.7	920.8	927.1	927.1	917.7	939.8	946.2	958.9	962.2	965.2	990.6	997.0	987.6	1047.8	1022.4	1047.8	1124.0
38	958.9	971.6	952.5	952.5	1009.7	974.6	1009.7	971.6	990.6	1035.1	1009.7	1047.8	1022.4	1041.4	1085.9	1044.7	1098.6	1073.2	1104.9	1200.2
40	1009.7	1003.3	1000.3	1009.7	1060.5	1022.4	1060.5	1025.7	1047.8	1098.6	1063.8	1098.6	1076.5	1098.6	1149.4	1095.5	1149.4	1127.3	1155.7	1251.0
42	1060.5	1054.1	1051.1	1066.8	1111.3	1079.5	1111.3	1076.5	1104.9	1149.4	1114.6	1149.4	1127.3	1155.7	1200.2	1146.3	1200.2	1178.1	1219.2	1301.8
44	1111.3	1124.0	1104.9	1111.3	1155.7	1124.0	1162.1	1130.3	1162.1	1206.5	1165.4	1200.2	1181.1	1212.9	1257.3	1197.1	1251.0	1231.9	1270.0	1368.6
46	1162.1	1178.1	1168.4	1162.1	1219.2	1181.1	1216.2	1193.8	1212.9	1270.0	1224.0	1254.3	1244.6	1263.7	1320.8	1255.7	1317.8	1289.1	1327.2	1435.1
48	1212.9	1231.9	1206.5	1219.2	1270.0	1231.9	1263.7	1244.6	1270.0	1320.8	1270.0	1311.4	1295.4	1320.8	1371.6	1306.6	1368.6	1346.2	1390.7	1485.9
50	1263.7	1267.0	1257.3	1270.0		1282.7	1317.8	1295.4	1320.8		1325.6	1355.9	1346.2	1371.6		1357.4	1419.4	1403.4	1447.8	
52	1314.5	1317.8	1308.1	1320.8		1335.5	1368.6	1346.2	1371.6		1376.4	1406.7	1397.0	1422.4		1408.2	1470.2	1454.2	1498.6	
54	1365.3	1365.3	1352.6	1378.0		1384.3	1403.4	1403.4	1428.8		1422.4	1454.2	1454.2	1479.6		1463.8	1530.4	1517.7	1555.8	
56	1422.4	1428.8	1403.4	1428.8		1444.8	1479.6	1454.2	1479.6		1477.8	1524.0	1505.0	1530.4		1514.6	1593.8	1568.5	1612.9	
58	1478.0	1484.4	1454.2	1473.2		1500.4	1535.2	1505.0	1536.7		1528.8	1573.3	1555.8	1587.5		1579.6	1655.8	1619.3	1663.7	
60	1535.2	1557.3	1517.7	1530.4		1557.3	1589.0	1568.5	1593.9		1586.0	1630.4	1619.3	1644.7		1630.4	1706.6	1682.8	1733.6	

Diğer alternatif sıcaklık,basınç ve özel ölçüler için, satış departmanımızla irtibata geçiniz.
Please get in touch with our sales department for other alternative sizes,temperatures and pressures.