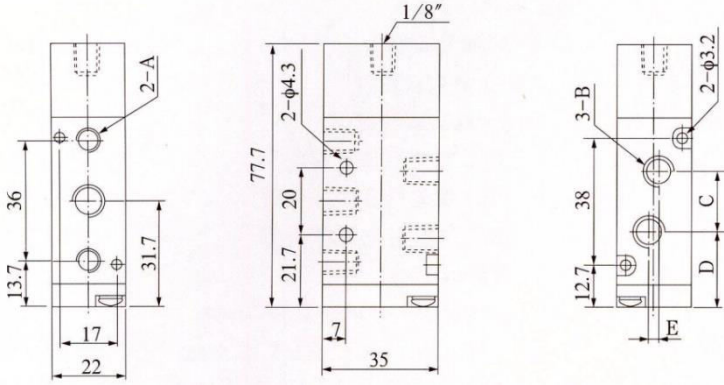


## PNÖMATİK YÖN KONTROL VALFLERİ PNEUMATIC DIRECTION VALVES

### 5/2-5/3 HAVA PİLOT UYARILI VALFLER 5/2-5/3 AIR PILOT VALVES

#### MODEL P-4A210



A	1/8"
B	1/4"
C	21
D	21.7
E	3



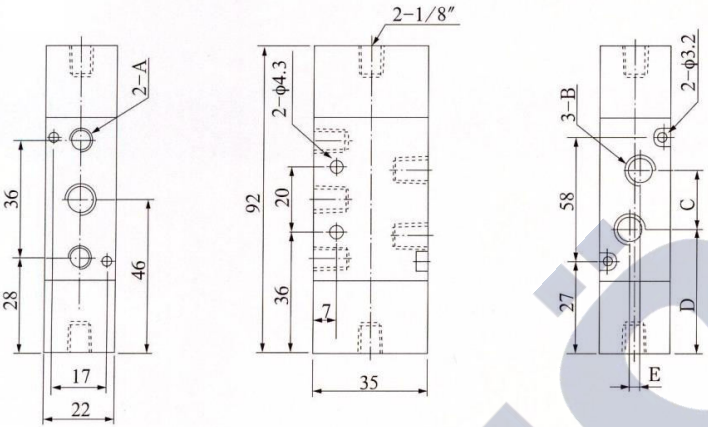
#### MODELLER / MODELS

##### P-4A210-08

5/2-5/3 TEK ETKİLİ YAY DÖNÜŞLÜ 1/4" BSP DİŞLİ  
5/2-5/3 SINGLE ACTING 1/4" BSP THREADED

MAX BASINÇ / MAX.PRESSURE : 10 BAR  
MAX SICAKLIK / MAX.TEMPERATURE : 60 °C

#### MODEL P-4A220



A	1/8"
B	1/4"
C	21
D	35.5
E	3

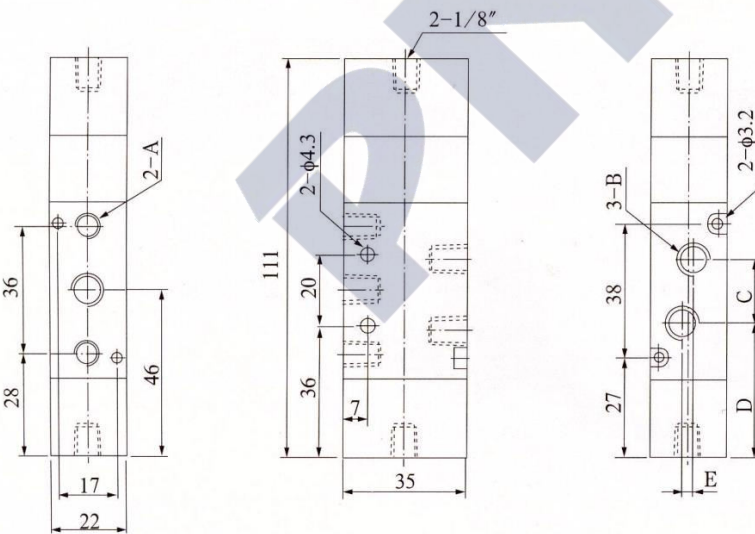


#### MODELLER / MODELS

##### P-4V220-08

5/2 HAVA-HAVA ÇİFT ETKİLİ  
5/2 DOUBLE ACTING 1/4" BSP DİŞLİ / THREADED

#### MODEL P-4A430



A	1/8"
B	1/4"
C	21
D	35.5
E	3



#### MODELLER / MODELS

##### P-4V430-C-08

5/3 HAVA - HAVA ÇİFT ETKİLİ / DOUBLE ACTING 1/4" BSP  
DİŞLİ / THREADED  
KAPALI MERKEZ (K/M) / CLOSED CENTER

##### P-4V230-E-08

5/3 HAVA - HAVA ÇİFT ETKİLİ / DOUBLE ACTING 1/4" BSP  
DİŞLİ / THREADED  
AÇIK MERKEZ (AM) / OPEN CENTER