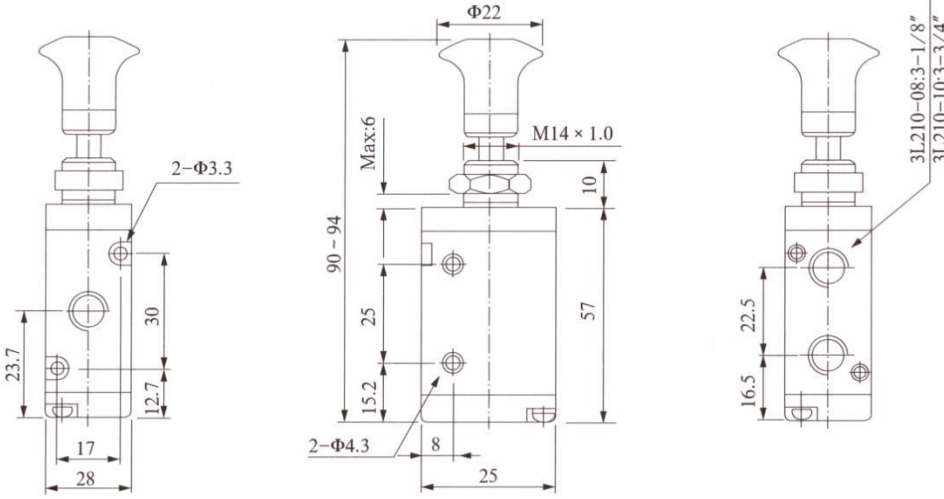


PNÖMATİK 3/2 ÇEKME Lİ VALF P- 3R SERİSİ
PNEUMATIC 3/2 HAND PULL VALVE P-3R SERIE

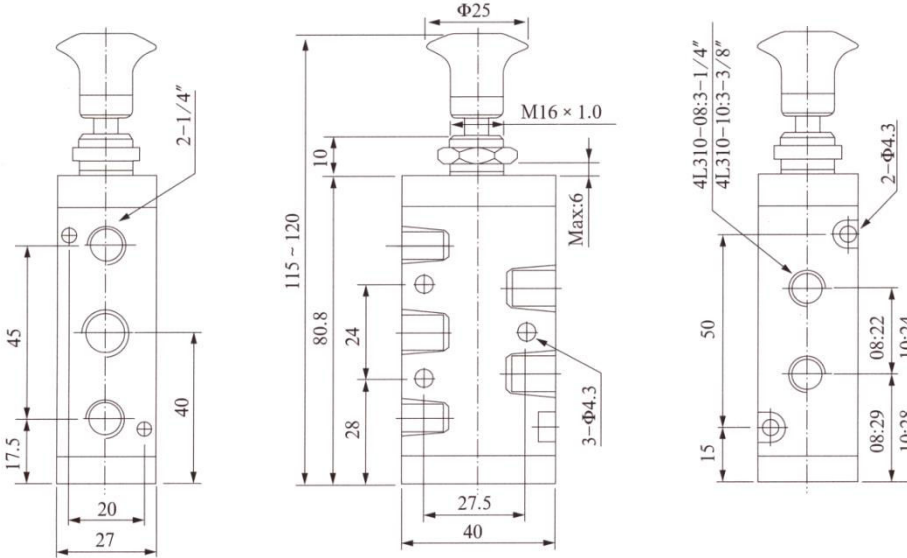
MODEL P-3R



MODELLER / MODELS

P-3R-210-06 3/2 ÇEKME Lİ VALF 1/8" BAĞLANTILI (NORMALDE KAPALI) / 3/2 HAND PULL VALVE 1/8" THREADED NC
P-3R-210-08 3/2 ÇEKME Lİ VALF 1/4" BAĞLANTILI (NORMALDE KAPALI) / 3/2 HAND PULL VALVE 1/4" THREADED NC

MAX BASINÇ / MAX. PRESSURE : 10 BAR
MAX SICAKLIK / MAX. TEMPERATURE : 60 °C



PNÖMATİK ÇEKME Lİ VALF
PNEUMATIC HANDPULL VALVE

MODEL P-4R



MODELLER / MODELS

P-4R-210-06 3/2 PNÖMATİK ÇEKME Lİ VALF / HANDPULL VALVE
1/8" BAĞLANTI / THREADED
NORMALDE KAPALI / NORMALLY CLOSED

MAX BASINÇ / MAX. PRESSURE : 10 BAR
MAX SICAKLIK / MAX. TEMPERATURE : 60 °C