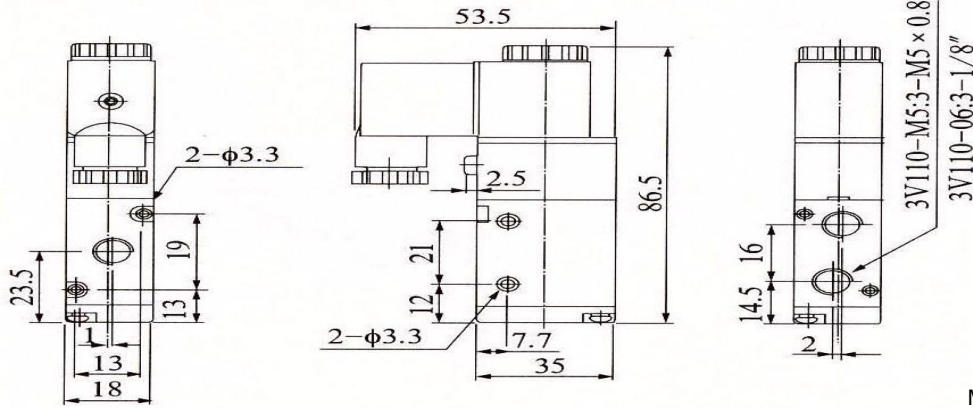


3/2 SELENOİD VALF P-3V SERİSİ 3/2 SELENOID VALVE P-3V SERIES

MODEL P-3V110



MODELLER / MODELS

P-3V110-M5

3/2 TEK BOBİN SOKETLİ Metrik 5 DİŞLİ
3/2 SINGLE COIL WITH SOCKET ,Metric 5 THREAD

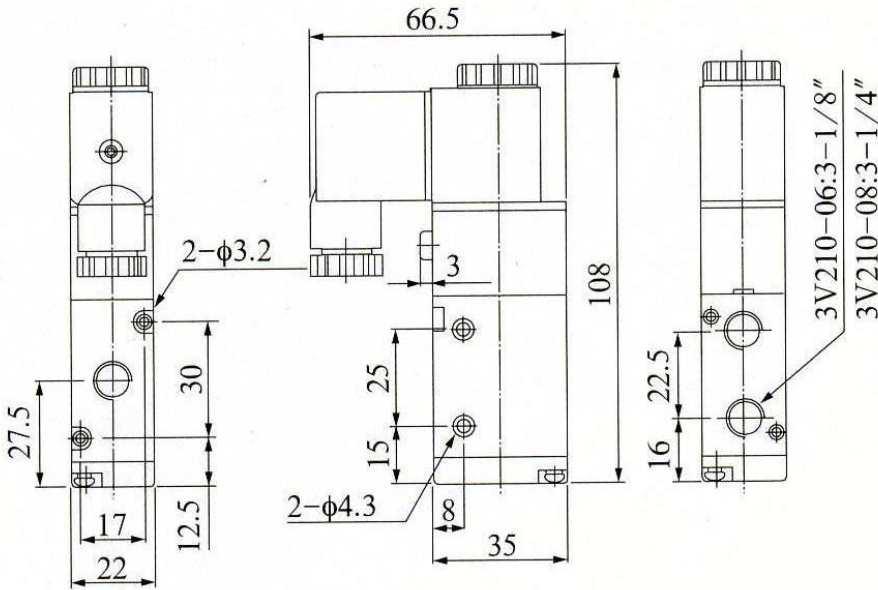
P-3V110-06

3/2 TEK BOBİN SOKETLİ 1/8" BSP DİŞLİ
3/2 SINGLE COIL WITH SOCKET ,1/8" BSP THREAD

MAX BASINÇ / MAX. PRESSURE : 10BAR
MAX SICAKLIK / MAX. TEMPERATURE : 60 °C
VOLTAJLAR / VOLTAGES : 12V DC-24V AC - 24V DC - 110V AC - 220V AC

3/2 SELENOİD VALF SERİSİ 3/2 SELENOID VALVE SERIES

MODEL P-3V210



MODELLER / MODELS

P-3V210-06

3/2 TEK BOBİN SOKETLİ 1/8" BSP DİŞLİ
3/2 SINGLE COIL WITH SOCKET , 1/8" BSP THREAD

P-3V210-08

3/2 TEK BOBİN SOKETLİ 1/4" BSP DİŞLİ
3/2 SINGLE COIL WITH SOCKET , 1/4" BSP THREAD

MAX BASINÇ / MAX. PRESSURE : 10 BAR
MAX SICAKLIK / MAX. TEMPERATURE : 60 °C
VOLTAJLAR / VOLTAGES : 12V DC- 24V DC -24V AC - 110V AC - 220V AC

PNÖSAN San ve Tic. Ltd. Şti.

Merkez : Cemaliye Mah.Gazi Çeşme Sok.No:2/A 59860 Çorlu / TEKİRDAĞ Tel:(+90 282) 652 94 86 Pbx Fax:(+90 282) 652 74 05

Fabrika : Zafer Mah.Şehit Yzb.Yücel Kenter Cad. Blok 7 No:1-2-3 Çorlu/Tekirdağ

www.pnosan.com / bilgi@pnosan.com / satis@pnosan.com